

# INTRODUCING... THE STRONGEST CONCRETE INSERT IN THE MARKET!

NEW  
PRODUCT



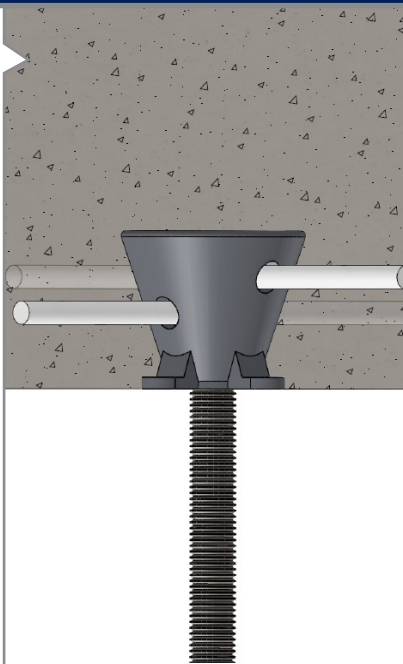
**UNISTRUT**<sup>®</sup>

A PART OF **Atkore**  
INTERNATIONAL

Unistrut<sup>®</sup> is proud to introduce the highest capacity concrete insert in the market to-date. The Unistrut P3246 is designed for heavy duty applications. One P3246 can replace multiple ceiling anchorage points, minimizing the number of inserts needed and the structure to the anchorage. This results in significant material and labor cost savings.

For more information, visit [Unistrut.us](http://Unistrut.us) or contact your local sales rep.

HEAVY DUTY CONCRETE INSERT - P3246



**P3246  
Installed**

## FEATURES AND BENEFITS

- Up to 5,700 lbs. tension capacity in 3,000 psi concrete
- Sizes available from ¾" to 1-½"
- Fiberglass rods to interface with the rebar or reinforcing rods, reducing the potential for a galvanic couple
- Stainless steel body with fiberglass rods to prevent corrosion
- Meets several industry and federal specifications, including: A-A-1192A (Type 18), WW-H-171-E (Type 18), ANSI/MSS SP-69 and MSS SP-58 (Type 18)

PART NUMBER	THREADED HOLE SIZE	MAXIMUM ALLOWABLE LOAD (LBS)		
		Vertical	Shear <sup>b</sup>	45° Pull
P3246-75 ST	¾" - 10	3,230 <sup>a</sup>	1,930	2,740
P3246-87 ST	7/8" - 9	4,480 <sup>a</sup>	2,680	3,800
P3246-1 ST	1" - 8	5,700	3,540	5,000
P3246-125 ST	1-1/4" - 7	5,700	5,700	6,000
P3246-150 ST	1-1/2" - 6	5,700	8,280	6,000

Safety factor of 5 in 3,000 psi concrete

<sup>a</sup> Limited by Threaded Rod Safe Load in accordance with MSS-SP-58

<sup>b</sup> Limited by MSS-SP-58 Tension Safe Load multiplied by 0.6