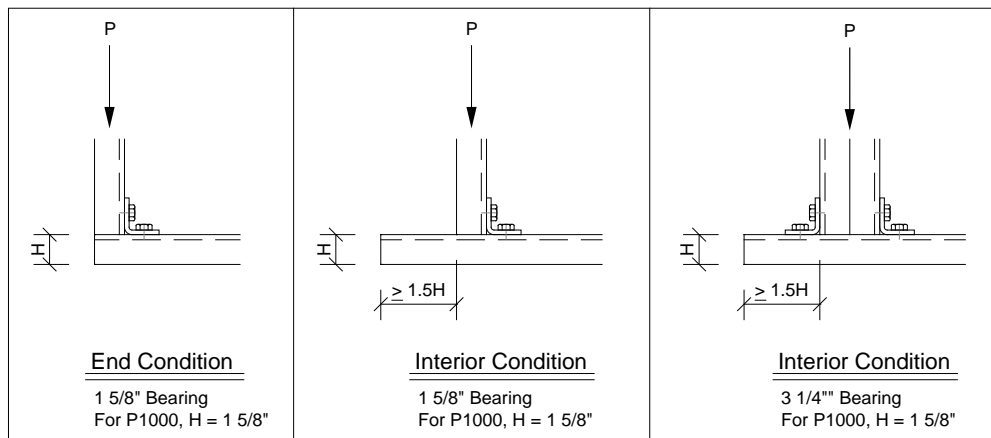


DESIGN LOAD REPORT

Part Description: P1000 Bearing Loads
Report Date: March 6, 2006



Load Condition	Bearing Width	Ultimate Load (lbs)	Catalog Design Load (lbs)	SF to Design Load
End	1 5/8"	9,800	3,500	2.8
Interior	1 5/8"	14,000	5,000	2.8
Interior	3 1/4"	19,350	8,000	2.4

NOTE

1. Ultimate Loads from Test Book #9, Pages 72 & 73

Unistrut Engineering