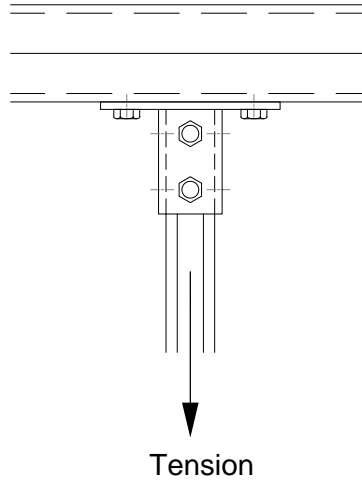


Part Description: P2072A SQ  
Report Date: January 15, 2007



Ave. Ultimate Tension (lbs)	Design Tension Load (lbs)	Ave. Deflection at Design Tension Load
11,400	3,000	0.067"

**NOTES**

1. Ave. Ultimate Load from Test T-065
2. Testing Based on 1/2"-13 Channel Nut & Cap Screw Torqued to 50 ft-lbs
3. Average Safety Factor = 3.9
4. Design Load Limited to 3,000 lb Slip Load of Two (2) 1/2"-13 Channel Nuts, SF = 3
5. Deflection is the Average Deflection Reading at 3,000 lbs
6. Deflection is Measured in the Direction of the Tension Load

Unistrut Engineering