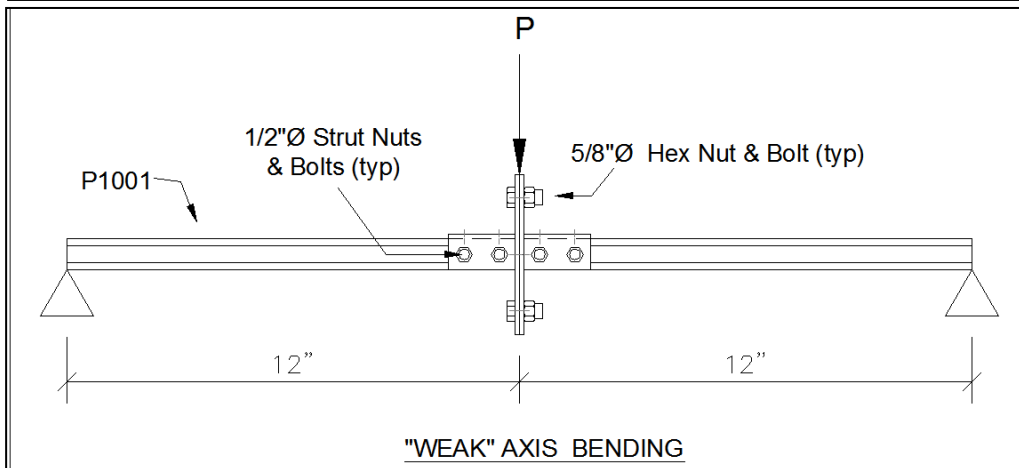
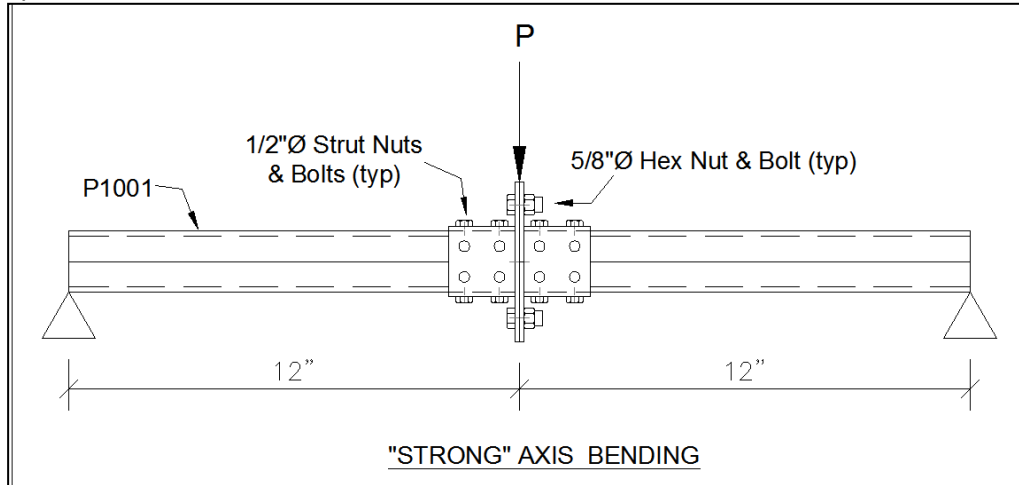


Part Description: P2073A Post Base – Bending Moment
Report Date: June 23, 2009



| Bending Direction | Avg. Ultimate Load (lbs) | Avg. Ultimate Bending Moment | Allowed Bending Moment |
|-------------------|--------------------------|------------------------------|------------------------|
| Strong | 7,640 | 45,840 | 15,200 |
| Weak | 3,100 | 18,600 | 6,200 |

NOTES

1. Ultimate Loads per test C-128A
2. Allowed bending moment is based on average ultimate bending moment divided by SF3

Unistrut Engineering