



Unistrut International
 16100 S. Lathrop Ave.
 Harvey, IL 60426

Phone: 708-339-1610
 800-882-5543
 Fax: 708-339-7814

www.unistrut.com

MEMORANDUM

Date: June 20, 2006
Subject: Curved Unistrut Channel
From: Unistrut Engineering

Unistrut provides curved P1000 channel only in either plain (PL) or pre-galvanized (PG) finish. The radius must be 3 ft. or greater for trolley applications and to avoid damage to the channel. Pierced channel and other profiles are not curved by the factory.

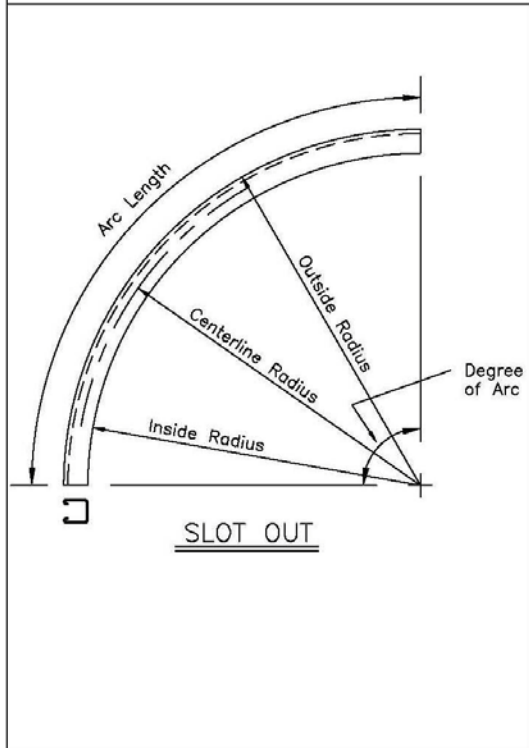
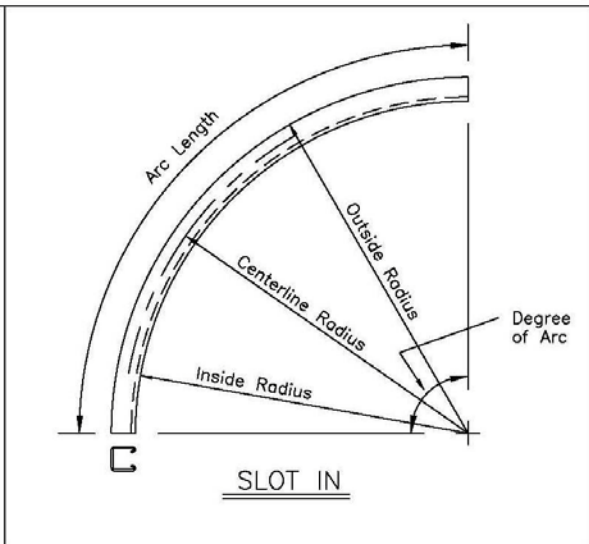
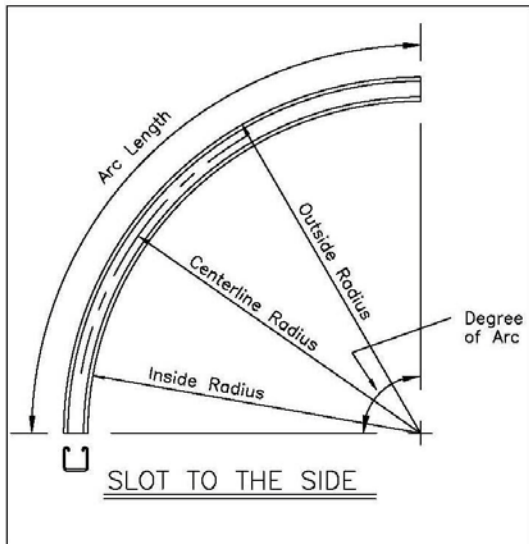
Typically standard 20 ft. lengths of P1000 are curved resulting in approximately 16 ft. of useable curved channel. For lengths greater than 16 ft., multiple curved sections are required. All curves must be field trimmed to achieve required arc length. Multiple sections must be field or shop welded for arc lengths exceeding 16 ft.

Each curve has a manufacturing tolerance of +/- 1/16" in the offset (factory gage setting) from the center of a 4' chord. For multiple channels with the same required radius, each channel will vary within this tolerance. Therefore, no two sections will have the exact same final radius. The table below summarizes the curvature range for a given radius resulting from the manufacturing tolerance.

Required Radius	Effect of Manufacturing Tolerance on Radius		Approximate Final Radius	
	Minus (-)	Plus (+)	Minus (-)	Plus (+)
5'	0.750"	0.625"	4.9'	5.1'
10'	3.000"	3.000"	9.7'	10.3'
15'	6.750"	7.250"	14.4'	15.6'
20'	11.875"	13.125"	19.0'	21.1'
25'	18.250"	20.750"	23.4'	26.8'
30'	26.000"	30.500"	27.8'	32.6'
40'	45.125"	55.750"	36.2'	44.7'
50'	69.000"	69.750"	44.2'	55.9'

For pricing and deliver, complete the sheet on the following page for each unique curved channel and submit to your nearest Unistrut Distributor.





- Information Required to Price Curved Unistrut
1. Arc Length _____ OR Degree of Arc _____
 2. Slot Direction
 - a. Slot to the Side _____
 - b. Slot In _____
 - c. Slot Out _____
 3. Radius (minimum 3')
 - a. Inside _____
 - b. Centerline _____
 - c. Outside _____
 4. Channel Section (e.g. P1000) _____
 5. Finish
 - a. Plain _____
 - b. Pre-Galvanized _____
 6. Application
 - a. Open Space, No Restrictions _____
 - b. Restrictions
 - i. Curved Wall _____
 - ii. Curved Ceiling _____
 - iii. Vertical Alignment _____
 - iv. Boxed-In Area _____
 - v. Other _____
- QUANTITY REQUIRED _____

MANUFACTURING TOLERANCE = $\pm 1/16''$ in the Offset from the Center of a 4' Chord

UNISTRUT CORPORATION
4205 Elizabeth Street, Wayne, MI 48184 (734) 721-4040

CURVED CHANNEL – Information Required for Pricing